



Pacific Hoists

COMEUP ELECTRIC WINCHES

Comeup Electric Winches come in various sizes and lifting capacities. All winches are precision engineered and constructed from heavy duty material which creates a high performance product with low maintenance; suited for a wide range of applications. The electric winches feature the CP, CWG and CWL range.

Features

- Lightweight and compact design for easy installation and portable use.
- Electromagnetic spring-applied failsafe brake designed for both static and dynamic loading which applies automatically in the event of power loss.
- IP65 pendant control.
- 24V push button control supplied as standard with all CP and CWG models.
- Compact load sharing design of the heat-treated planetary gear which ensures quiet operation and long life.
- Emergency stop function switch is featured on all models.



CWL Range



CP Range



CWG Range

Specifications

CWL RANGE

MODEL	CWL200	CWL200L	CWL301L
Stock Code	CWL200	CWL200L	CWL305
Rated Capacity (kg)	200	200	300
Lifting Speed (m/min)	11 - 16	11 - 16	16 – 25
Phase Voltage	240 x 1	240 x 1	240 x 1
Wire Rope (Ø mmxm)	5 x 46	5 x 71	6 x 60
Max. Lifting Height (m)	45	69	53
Net Weight (kg)	30	33	40

CP RANGE

MODEL	CP200	CP250	CP300	CP500	CP750T
Stock Code	ACW200	ACW250	ACW300	ACW305	ACW310
Rated Capacity (kg)	200	250	300	500	750
Lifting Speed (m/min)	10 - 15	10 - 15	10 - 15	10 - 15	10 – 15
Phase Voltage	240 x 1	240 x 1	240 x 1	240 x 1	415 x 3
Wire Rope (Ø mmxm)	6 x 30	6 x 30	6 x 30	7 x 60	9 x 60
Max. Lifting Height (m)	29	29	29	58	58
Net Weight (kg)	32	34	38	55	135

CWG RANGE

MODEL (CWG)	10077	30075	10151	30151	30265	30375	30565	30750	31500	34000
Stock Code	ACW320	ACW345	ACW330	ACW350	ACW340	ACW375	ACW565	ACW750	ACW800	ACW850
Rated Capacity (kg)	300	300	400	500	650	900	1100	2200	3500	5000
Lifting Speed (m/min)	12 – 19	10 – 15	12 – 18	12 – 18	12 – 18	13 – 20.6	14 – 25	6.9 – 12.6	5.8 – 8	8 – 12.2
Phase Voltage	240 x 1	415 x 3	240 x 1	415 x 3	415 x 3	415 x 3	415 x 3	415 x 3	415 x 3	415 x 3
Wire Rope (Ø mmxm)	6 x 60	6 x 30	9 x 60	9 x 60	9 x 60	10 x 60	12 x 100	16 x 100	18 x 150	22.4 x 200
Max. Lifting Height (m)	43	29	58	58	58	58	97	97	144	192
Net Weight (kg)	42	32	120	120	154	185	250	400	800	1380



The information shown is to be used as a guide only. Specifications are subject to change without notice. All materials handling or lifting jobs should be assessed individually. Pacific Hoists products are NOT to be used for lifting or lowering persons.

HEAD OFFICE

24 Foundry Rd,
Seven Hills NSW 2147 Australia
P +61 2 8825 6900
F +61 2 8825 6999
E sales@pacifichoists.com.au

WESTERN AUSTRALIA

Unit 1, 31 Colin Jamieson Drive,
Welshpool WA 6106
P +61 8 6253 1000
F +61 8 9458 9840
E sales@pacifichoists.com.au

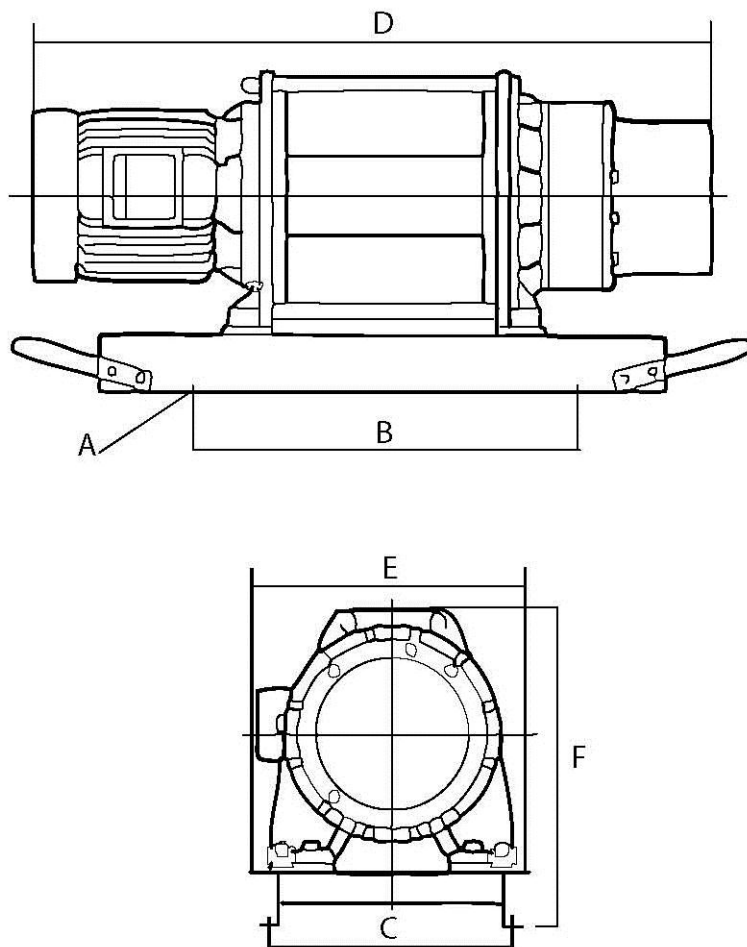
QUEENSLAND

5/54 Nealdon Drive,
Meadowbrook QLD 4131
P +61 7 3170 3800
F +61 7 3170 3811
E sales@pacifichoists.com.au

NEW ZEALAND

11 Druces Rd,
Manukau City 2104 Auckland
P +64 9 263 5566
F +64 9 263 5567
E info@pacifichoists.co.nz

Dimensions (in mm)



CWL RANGE

MODEL	CWL200	CWL200L	CWL301L
A	8 – Ø11	8 – Ø11	8 – Ø11
B	142	197	210
C	135	135	135
D	413	470.5	556
E	210	210	210
F	270	270	270



The information shown is to be used as a guide only. Specifications are subject to change without notice. All materials handling or lifting jobs should be assessed individually. Pacific Hoists products are NOT to be used for lifting or lowering persons.

HEAD OFFICE

24 Foundry Rd,
Seven Hills NSW 2147 Australia
| P +61 2 8825 6900
| F +61 2 8825 6999
| E sales@pacifichoists.com.au

WESTERN AUSTRALIA

Unit 1, 31 Colin Jamieson Drive,
Welshpool WA 6106
| P +61 8 6253 1000
| F +61 8 9458 9840
| E sales@pacifichoists.com.au

QUEENSLAND

5/54 Nealdon Drive,
Meadowbrook QLD 4131
| P +61 7 3170 3800
| F +61 7 3170 3811
| E sales@pacifichoists.com.au

NEW ZEALAND

11 Druces Rd,
Manukau City 2104 Auckland
| P +64 9 263 5566
| F +64 9 263 5567
| E info@pacifichoists.co.nz

CP RANGE

MODEL	CP200	CP250	CP300	CP500	CP750T
A	4 – Ø10.5	4 – Ø10.5	4 – Ø10.5	4 x Ø13.5	6 – Ø16
B	142	142	142	267	400
C	142	142	142	156	300
D	510	548	576	694	870
E	210	210	210	260	347
F	241	241	241	299	360

CWG RANGE

MODEL (CWG)	10077	30075	10151	30151	30265	30375	30565	30750	31500	34000
A	4 – Ø13.5	6 – Ø10.5	4 – Ø16	4 – Ø16	4 – Ø16	4 – Ø19	4 – Ø19	4 – Ø22	8 – Ø28	8 – Ø32
B	197	142	400	400	400	500	620	600	847	920
C	156	142	325	325	325	370	425	499	680	680
D	624	477	937	922	940	974	1120	1246	1439	1860
E	252	210	367	367	367	400	470	565	740	740
F	300	241	425	425	425	445	520	658	860	905



The information shown is to be used as a guide only. Specifications are subject to change without notice. All materials handling or lifting jobs should be assessed individually. Pacific Hoists products are NOT to be used for lifting or lowering persons.

HEAD OFFICE

24 Foundry Rd,
Seven Hills NSW 2147 Australia
P +61 2 8825 6900
F +61 2 8825 6999
E sales@pacifichoists.com.au

WESTERN AUSTRALIA

Unit 1, 31 Colin Jamieson Drive,
Welshpool WA 6106
P +61 8 6253 1000
F +61 8 9458 9840
E sales@pacifichoists.com.au

QUEENSLAND

5/54 Nealdon Drive,
Meadowbrook QLD 4131
P +61 7 3170 3800
F +61 7 3170 3811
E sales@pacifichoists.com.au

NEW ZEALAND

11 Druces Rd,
Manukau City 2104 Auckland
P +64 9 263 5566
F +64 9 263 5567
E info@pacifichoists.co.nz