

JUUKO K-Series Remote Controls

JUUKO is a pioneer in the development and manufacturing of industrial radio remote controls with a clear focus on safety, efficiency and productivity. Their products are used in over 20 countries around the world in the hoisting and cranes industry. The perfect tool for magnetic cranes, overhead cranes, electric chain hoists and tandem operations.

Pacific Hoists is proud to be a JUUKO supplier and the K-Series remote controls are available with all Hitachi, Pacific and Challenger Electric Chain Hoists and Comeup Electric Winches (excluding Porta Hoists and CWS / CWL ranges).

The K-Series remote controls are easy to use and provide comfort due to their ergonomic design. The transmitter is constructed with ultra-high impact resistant corner bumpers for added protection and a rubber protective cover underneath the EMO button which is dust-resistant. The back of the remote control features a matt black rubber finish which is durable and offers a secure and comfortable grip.

Features:

- Automatic channel switching allows users to select primary working frequency and secondary working frequency.
- Range limiting function allows reduction of maximum distance for the transmitter to continue operating.
- Electronic key-code and automatic shut-off option programmable to prevent accidental activation of the transmitter.
- Eco power management system to save battery life
- Receive and displays via 4 LED signals coming from the receiver (To relay action feedback)
- Mushroom type EMO button
- Internal Bootloader, firmware update by using a computer
- Wireless pairing procedure by using pendant push buttons
- Independent LED's to indicate the status of battery
- Date logging Black Box system included, which records data and remote usage.



The information shown is to be used as a guide only. Specifications are subject to change without notice. All materials handling or lifting jobs should be assessed individually. Pacific Hoists products are NOT to be used for lifting or lowering persons.

Transmitter Design

Ergonomic Design

The K-Series Remote Controls are easy to use and provide comfort due to their ergonomic design.



Protection

The transmitter is constructed with ultra-high impact resistant corner bumpers for added protection and a rubber protective cover underneath the EMO button which is dust-resistant.

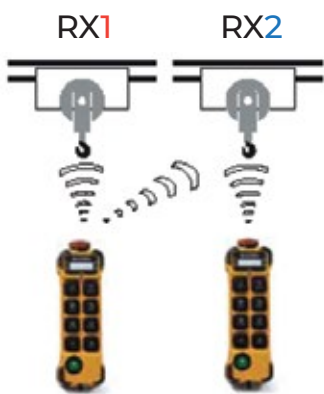


Durability

The back of the remote control features a matt black rubber finish which is durable and offers a secure and comfortable grip.

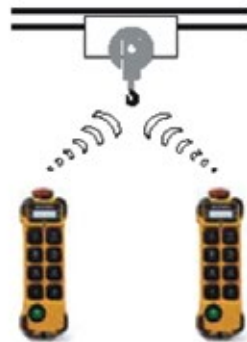


Multi-Control System

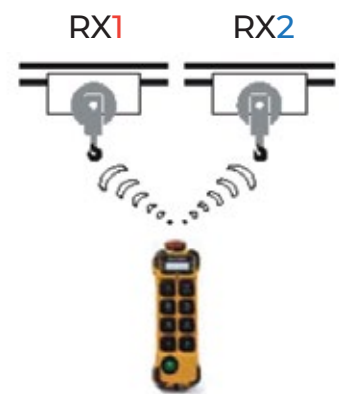


1
2
1+2

Master / Slave



Take / Release



1
2
1+2

Tandem

The information shown is to be used as a guide only. Specifications are subject to change without notice. All materials handling or lifting jobs should be assessed individually. Pacific Hoists products are NOT to be used for lifting or lowering persons.

Accessories



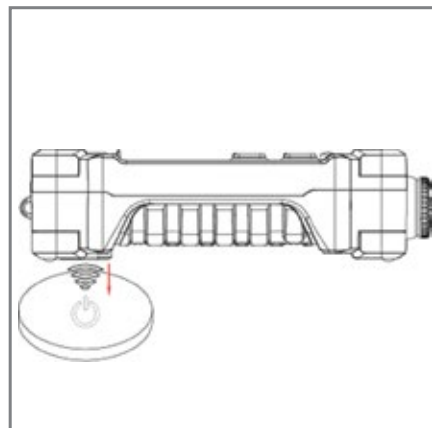
HS-Series Receiver
(Included)



Wrist Strap
(Included)



Transparent Pouch
(Included)



Qi Charger (Optional)



TA-3 Horn

The information shown is to be used as a guide only. Specifications are subject to change without notice. All materials handling or lifting jobs should be assessed individually. Pacific Hoists products are NOT to be used for lifting or lowering persons.

Specifications

Model	K2001R1T	K2001R2T	K2021R1T	K2021R2T	K4041R1T	K4041R2T	K6061R1T	K6061R2T
No. of Transmitters	1	2	1	2	1	2	1	2
No. of Receivers	1	1	1	1	1	1	1	1
No. of Protective Pouches	1	2	1	2	1	2	1	2
No. of Wrist Straps	1	2	1	2	1	2	1	2
Hip Belts (Optional)	-	-	-	-	-	-	-	-
QI Charger (Optional)	-	-	-	-	-	-	-	-
Suits Models	CP / CWG winches, all single speed hoists	CP / CWG winches, all single speed hoists	All two-speed hoists	All two-speed hoists	All Hitachi, CEH, PEH hoists and trolleys	All Hitachi, CEH, PEH hoists and trolleys	Two-speed Cranes	Two-speed Cranes

JUUKO K-Series Remote Control Transmitter

Size	193 x 57 x 51mm
Weight	325g
Frequency Band	433MHz
Typical Operating Range	100m
Control System	PLL
Antenna Impedance	50Ω
Radio-frequency Power	<10dBm
Power Supply	DC3V (LR6(AA)1.5V*2)
Average Power Consumption	16mA a 3Vcc
Operating and Storage Temperature	(-25°C)-(+55°C) / (-40°C)-(+85°C)
Housing Material	PA(30%fg)
Protection Degree	IP65
Operating Distance	Up to 100m
Antenna Type and Impedance	50ohm
Power Supply	2x AA Alkaline

The information shown is to be used as a guide only. Specifications are subject to change without notice. All materials handling or lifting jobs should be assessed individually. Pacific Hoists products are NOT to be used for lifting or lowering persons.

Specifications

JUUKO HS-Series Receivers

	Specification
Size	190 x 184 x 64mm
Weight	1800g
Frequency	433MHz
Modulation Method	4FSK
Sensitivity	-122dBm@baud 1.2K bps
Control System	PLL
Antenna Impedance	50Ω
Power Supply	24V~264 AC/DC
Average Power Consumption	15mA@AC220V (Standby Mode)

Sydney - Head Office

24 Foundry Road
Seven Hills, NSW 2147
Australia

+61 (0)2 8825 6900

+61 (0)2 8825 6999

Western Australia

Unit 1, 31 Colin Jamieson Drive
Welshpool, WA 6106
Australia

+61 (0)8 6253 1000

+61 (0)8 9458 9840

Auckland NZ

11 Druces Road
Wiri, Auckland 2104
New Zealand

+64 (0)9 263 5566

+64 (0)9 263 5567

